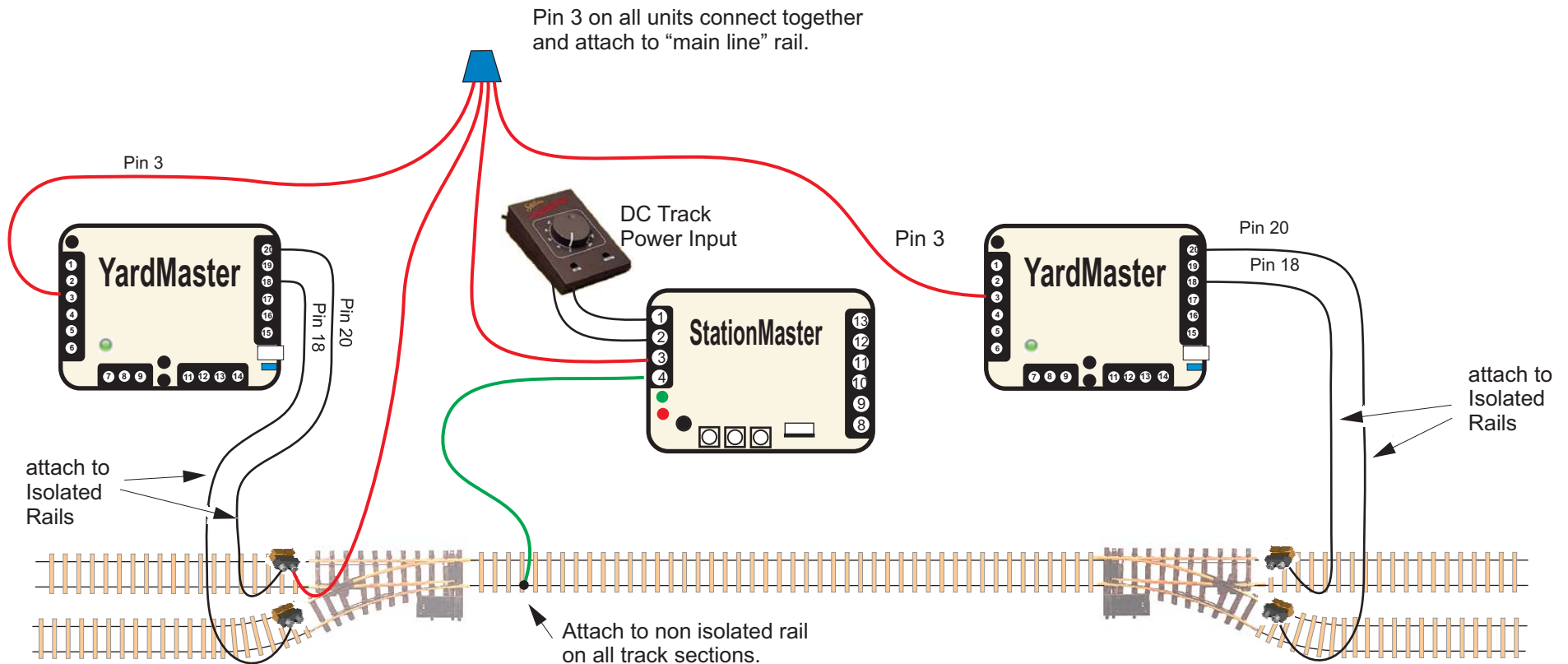


Reversing with Sidings on both Ends. 3 Trains running with acceleration & deceleration.

Two trains will be parked in sidings and one train will travel to the other side. After that train stops the adjacent train in the siding will travel to the location where the previous train left. This operation is repeated so that all three trains will travel back and forth.

First time start up:

1. Power up for 5 seconds and then power down to allow the sidings to switch.
2. Place one train in each of the sidings which are NOT switched to the main line and place the 3rd train somewhere on the main line.
3. Power up and the operation will. All 3 trains will take turns going back and forth.



Reversing with Sidings on both Ends.
3 Trains running with acceleration & deceleration.

Attach sensors as shown. Sensors have NO polarity. Wire nuts are suggested for bundling parallel wires together. Do not attempt to put more than 2 wires into a StationMaster terminal.

PROGRAMMING:

StationMaster:

DECEL = Maximum,
Mode = BLINK 1 and BLINK 7 set,
Accel & time delay as desired,

YardMaster:

Ym #1, no programming, Ym #2 set for NODE ID = 2 (3 1 1)

